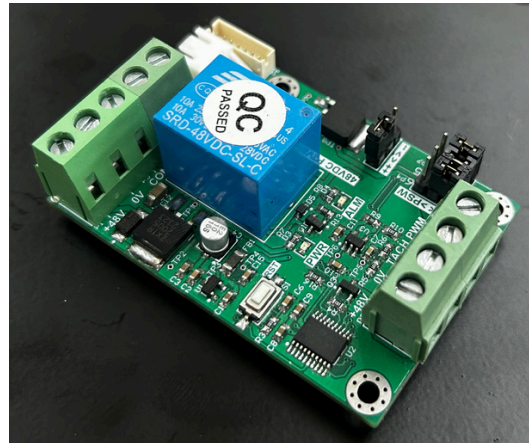


FanCon V2: Fan Speed Controller for 2, 3 or 4 Wire Fan

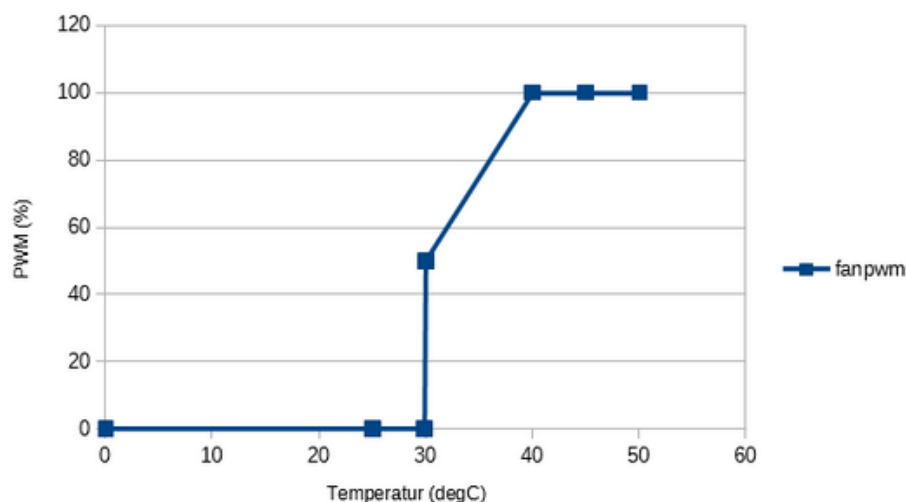
FanCon V2 is Fan Speed Controller that used for 2-Wire, 3-Wire or 4-Wire Fan. Temperature sensor is used as a feedback to control the speed of Fan. FanCon V2 works on 45-60VDC, it makes FanCon can be used on long range of Fan voltage. There is an Alarm contact that detect status of Fan rotation, When the Fan cannot be rotate due to failure, alarm relay will energize. An on board LED indicator available to display temperature range and alarm indicator.



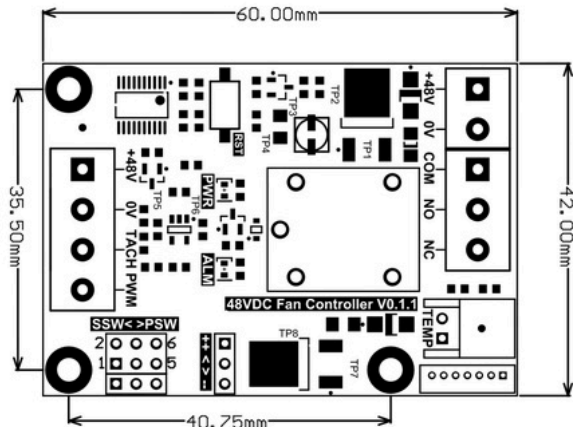
Specification

Voltage Input	:	45-65 VDC
Supported Fan Type	:	<ul style="list-style-type: none"> • 2- Wire (Max 2A of Fan Current) • 3- Wire (Supply, GND, PWM) • 4- Wire (Supply, GND, PWM, TACHO)
Temperature Sensor Type	:	NTC
Temperature Sensor Range	:	0 - 100DegC
Fan Driving Method	:	Pulse Width Modulation (PWM) With 100Hz Frequency
Alarm Contact Rating	:	1A/28VDC - 1A/250VAC
Board Dimension	:	42mm x 60mm, Can be mounted on DIN Rail with optional case

Fan Speed Curve

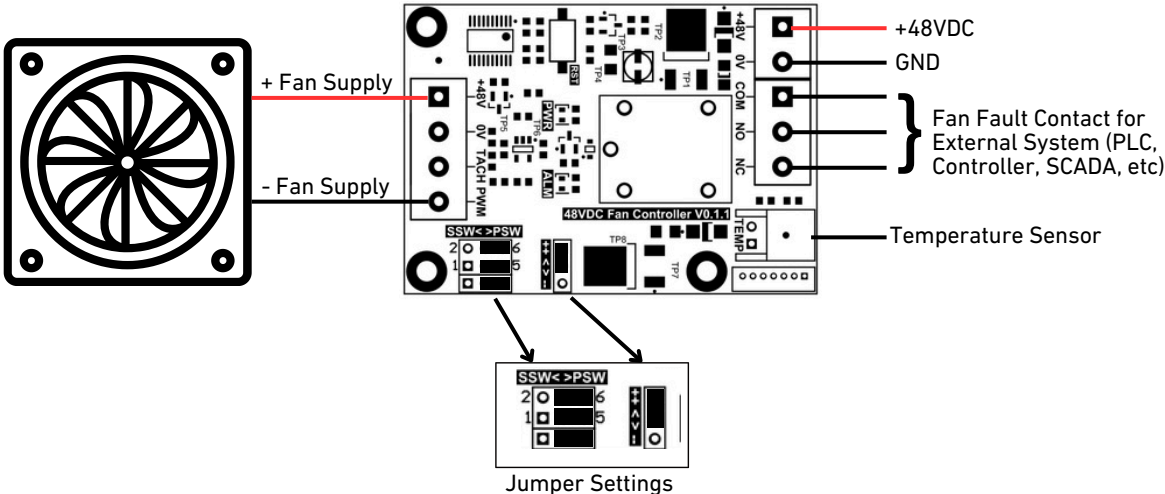


Dimension



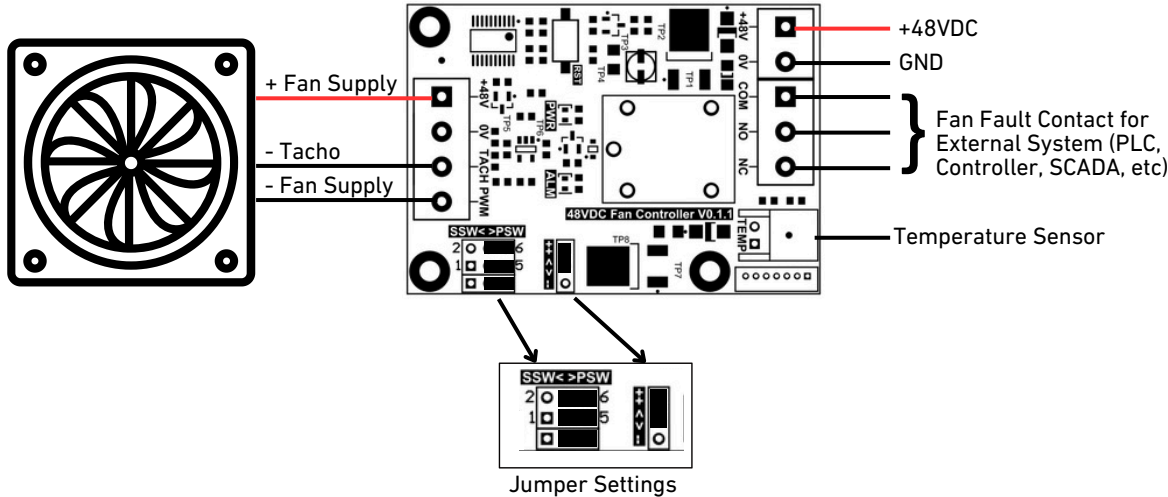
Wiring Diagram

- 2-Wire Fan



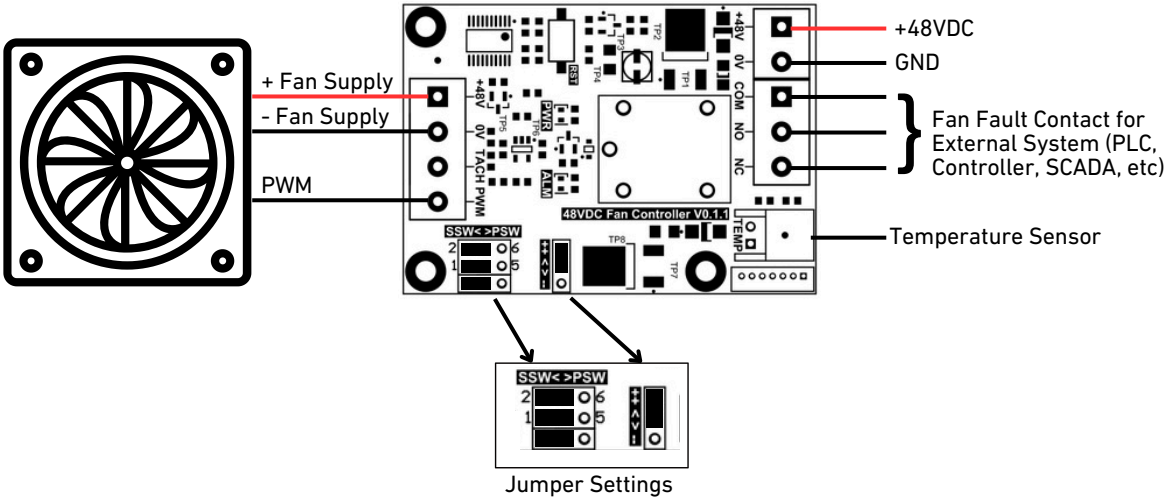
- 3-Wire Fan (+48V, GND, TACHO)

Some 3-wire Fan configuration has no PWM command, it is only +48VDC, GND and TACHO (rpm feedback from fan).



- 3-Wire Fan (+48V, GND, PWM)

Below is wiring diagram for 3-wire Fan configuration with PWM command, +48VDC, GND



- 4-Wire Fan (+48V, GND, PWM, TACHO)

Below is wiring diagram for 4-wire Fan configuration with PWM command, +48VDC, GND and TACHO (rpm feedback from fan)

